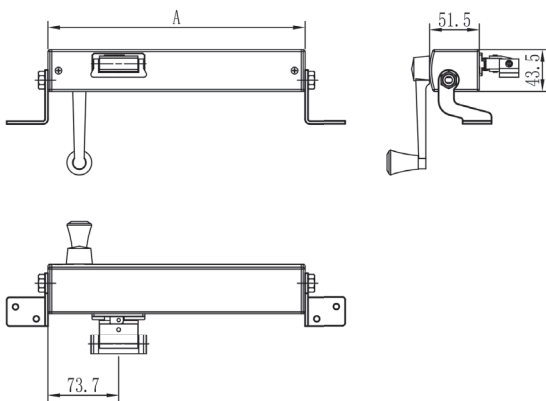
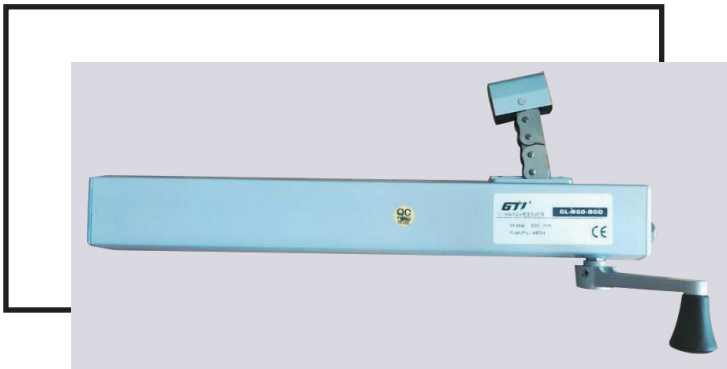


GL-850-BGO



BUILT-IN HAND CRANK DOUBLE LINK CHAIN ACTUATOR



- Built-in system is designed to operate accessible window
- Control handle integrated with chain box and drive the chain box directly to operate the window, this design immensely reduces power loss during the transmission and exerts stronger power.
- Control handle can be removed, when not in use.
- High quality Chain box using high-strength double link chain
- Clamping force achieving to 3000N
- Stroke: available from 100 to 500mm
- Suitable Application: Top hung window, utton hung window and flat-opened window
- Easy-Installation, durable & aesthetical.

Stroke	A (mm)
100	193
200	243
300	293
400	343
500	393

