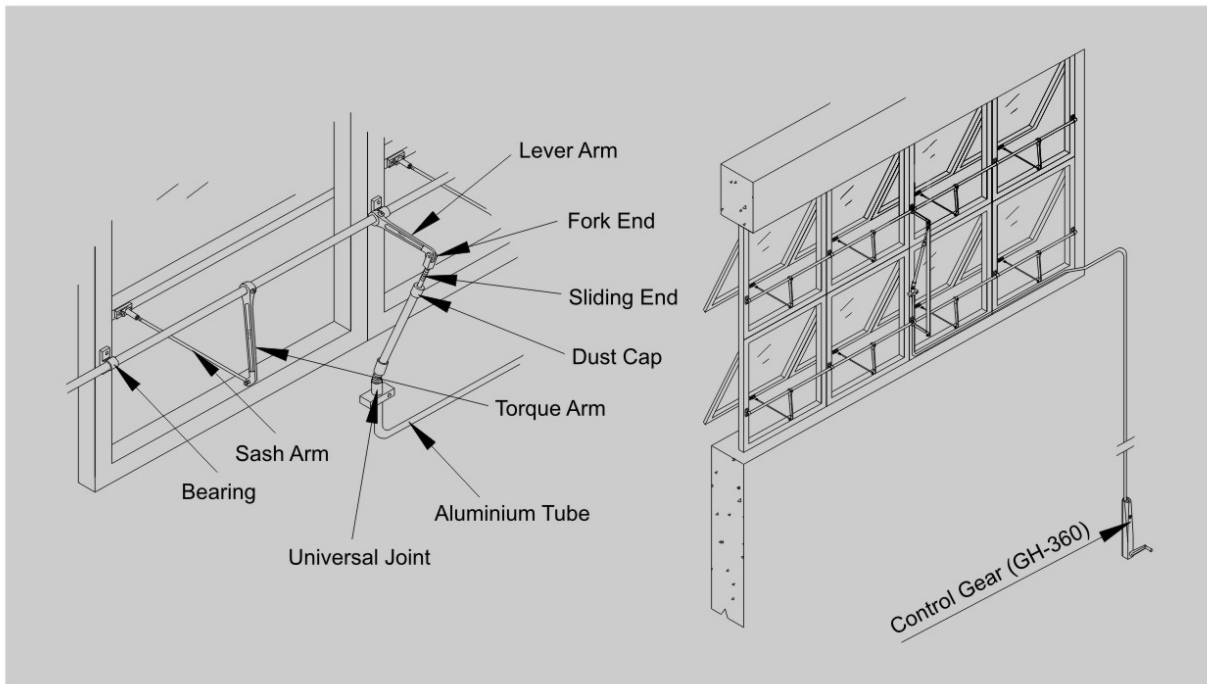


Manual Gear-Type Handle



GH-360 Manual Gear-Type Handle



NO. L0579 [2005]高认监认字(05)号 [2005]监认监[字](Z0214)号 [广东省质监总字(040)号]

- Economical, low maintenance
- Quality built system to operate high level or inaccessible windows
- Operate 10~12 sashes at once
- Window opening as wide as 400 mm
- Easy to position on the wall or aluminum frame
- Standard color: white, black, grey and other colors are optional



GH-360 Control Gear

