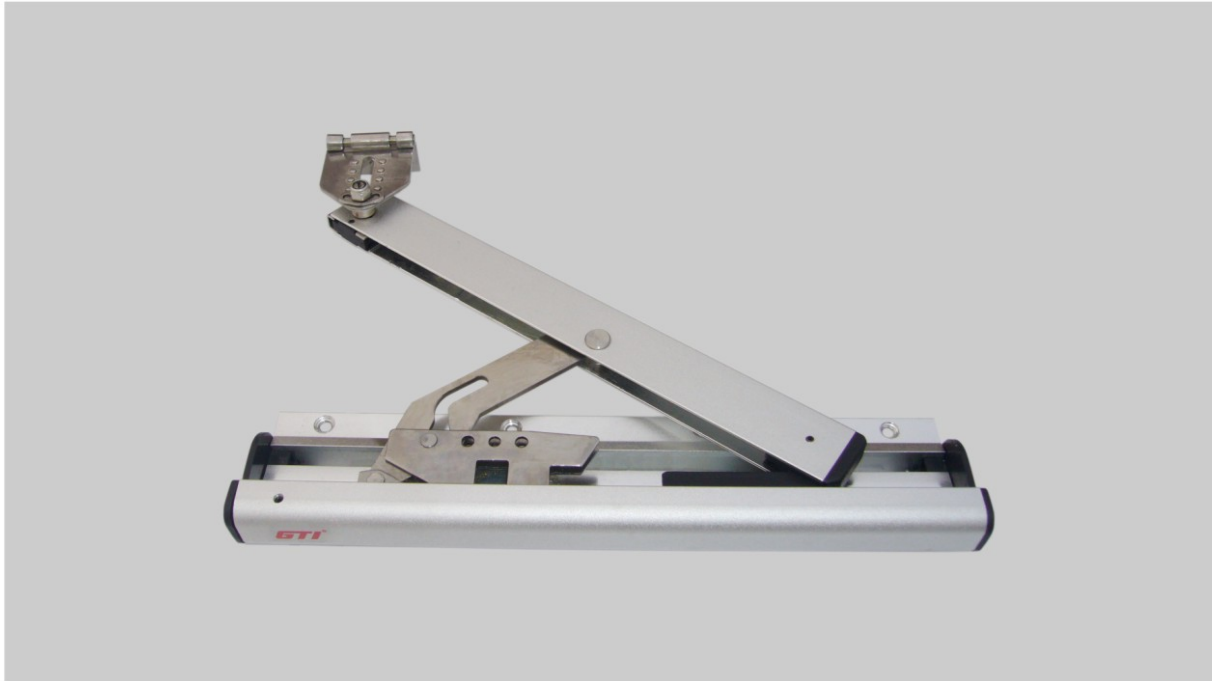
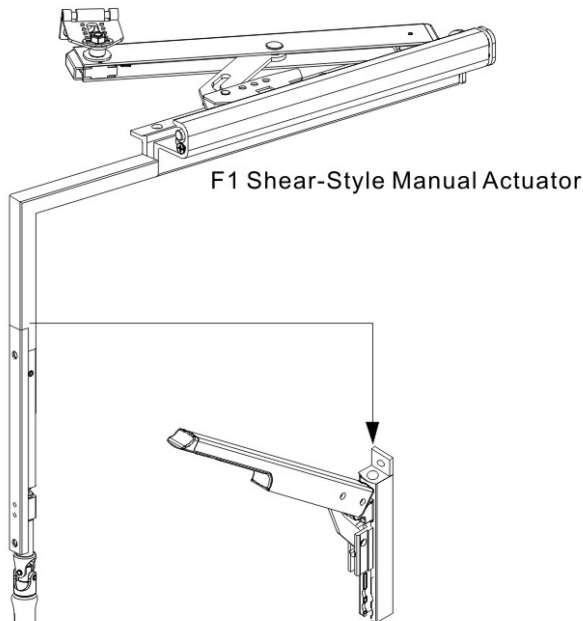


FH-90 Shear-Style Manual Actuator



NO. L0579 (2005)国认监认字(05)号 (2005)鲁认(鲁)字(Z0214)号 (广东)省质监监字(040)号

- Stroke distance ranging from 200 to 300mm
- Operate 1~3 sashes at once
- Built-in locking function
- Simple installation
- Standard color: white, black, shinny silver
- HD Spanner-type or HS Gear-type opening and closing for selection
- Length of HS Gear-type handle can be made to customer's requirement



HS Gear-type handle HD Spanner-type handle

HD Spanner-type handle



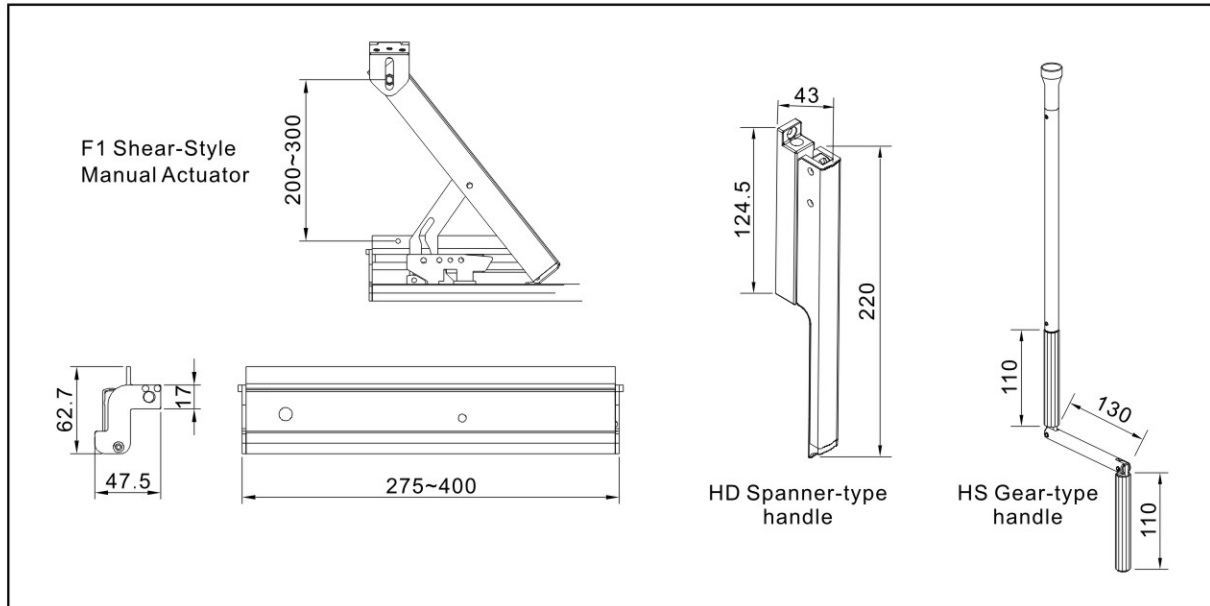
HS Gear-type handle



Shear-Style Manual Actuator



Dimension



Application and Installation:

