

K10 Spindle Actuator



- Heavy-weight type for very wide and heavy skylights and windows
- Corrosion-protected spindle in stainless steel (Available in upgrade version)
- Fixed and movable installation, low noise operation
- Various push force available
- Various stroke available, maximum 1,500 mm
- Endurance tests (10,000 cycles) are carried out
- Lock force in static motion is 5,000 N
- Voltage supply 24V DC \pm 10%
- Max push and pull force: 1,500N

Accessories:



Slip Bracket



Back Bracket



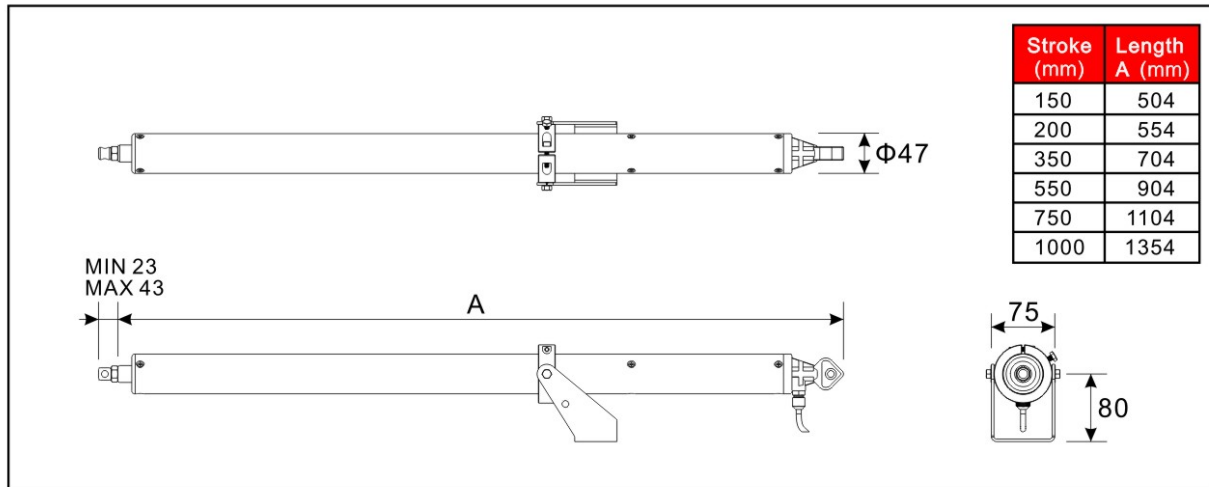
Sill Bracket

Specification	Unit	Technical Data
Voltage supply	V	24V DC \pm 10%
Push and pull force	N	350 / 600 / 800 / 1000 / 1200 / 1500
Max current absorption	A	0.5 / 0.6 / 0.8 / 0.9 / 1.1 / 1.3
Stroke	mm	150~1000
Speed	mm/sec	6
Working temperature	$^{\circ}$ C	-15 ~ +75
Protection class	IP	65

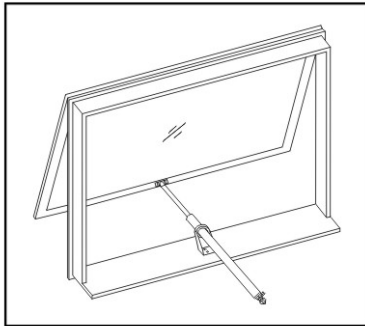
Spindle Actuator



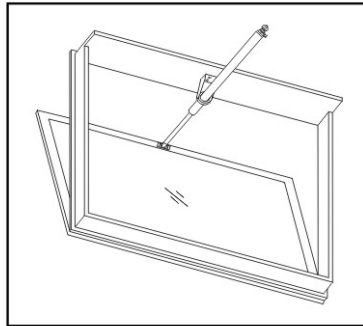
Dimension



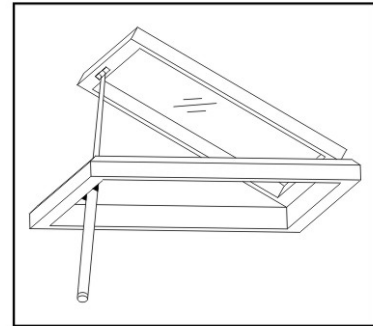
Application and Installation:



Top Hung Windows Installation



Bottom Hung Windows Installation



Skylight Installation

1. K10 Spindle Actuator can be applied to the top and bottom hung window, horizontal opening, skylight...
2. Installation of K10 is flexible. Slip bracket or back Bracket is available for installation.

Examples :

