

GM-250DC Electric Chain Actuator



- Electronic overload cutoff and limit stop, low noise operation
- Corrosion-protected single chain in stainless steel design for humid and no air-condition
- Various strokes or tailor-made stroke is available
- Brackets-free installation on window with or without window sill
- Endurance tests (10,000 cycles) are carried out
- Voltage supply 24V DC \pm 10%
- Max push and pull force: 250N

Accessories:



Sill Bracket



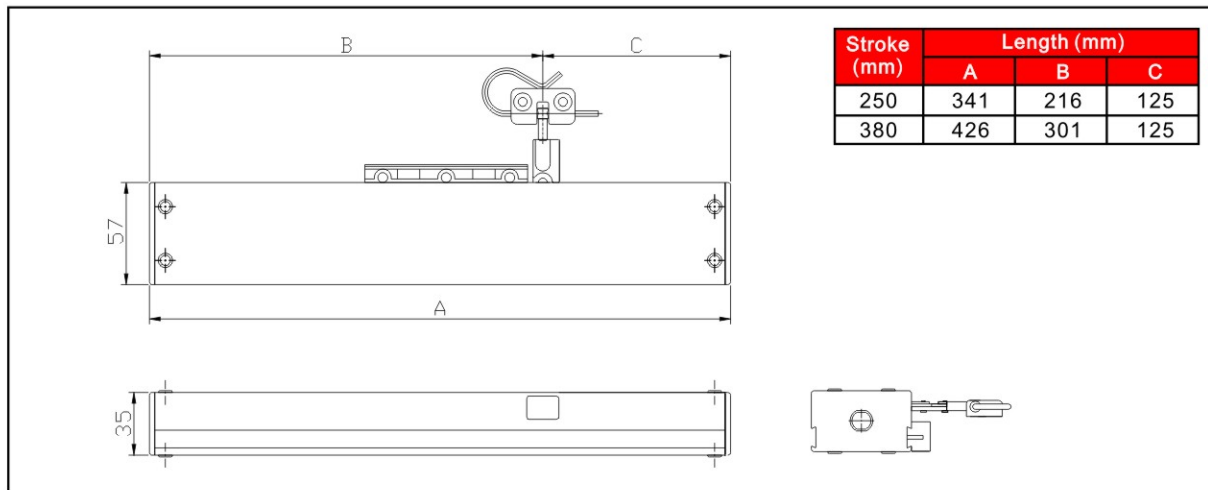
Fixed Bracket

Specification	Unit	Technical Data
Voltage supply	V	24V DC \pm 10%
Push and pull force	N	250
Max current absorption	A	0.8
Stroke	mm	250~380
Speed	mm/sec	9
Working temperature	$^{\circ}$ C	-15 ~ +75
Protection class	IP	32

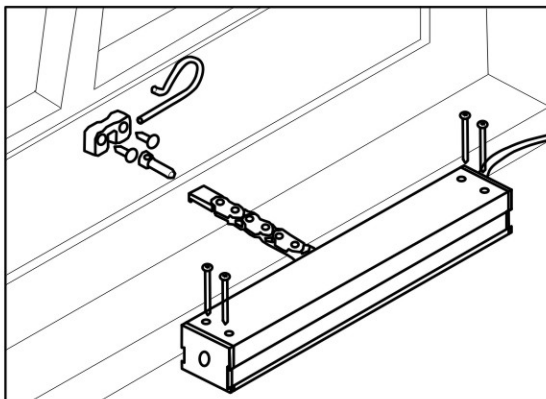
Chain Actuator



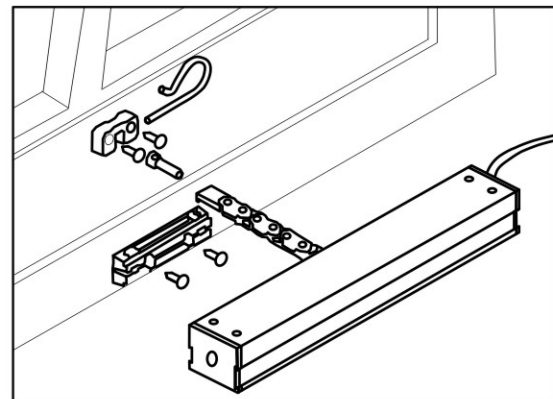
Dimension



Application and Installation:



With Window Sill



Without Window Sill

1. GM-250DC Electric Chain Actuator can be applied to the top and bottom hung window, horizontal opening...
2. Installation of GM-250DC is flexible. It can be installed with or without window sill situation by suitable brackets.

Examples :

